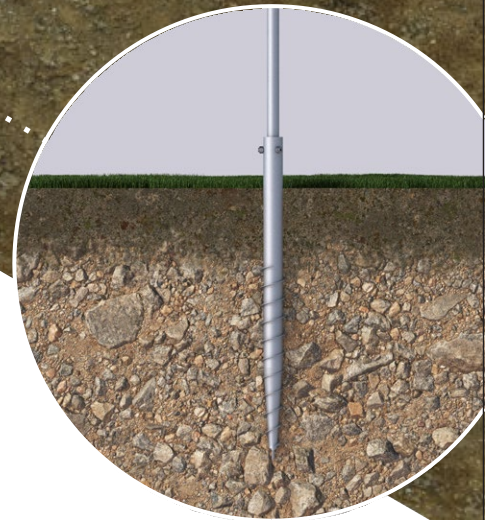
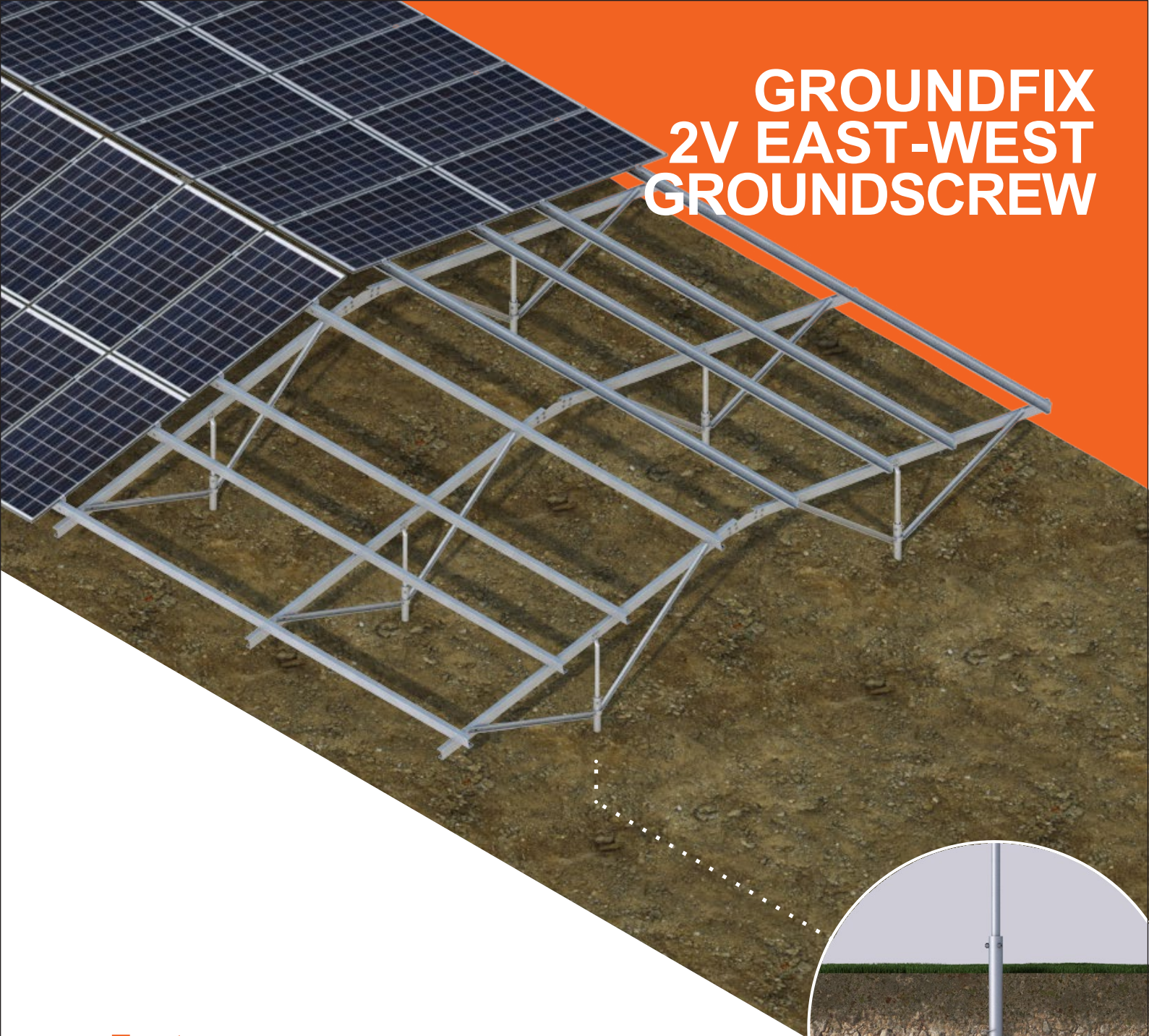
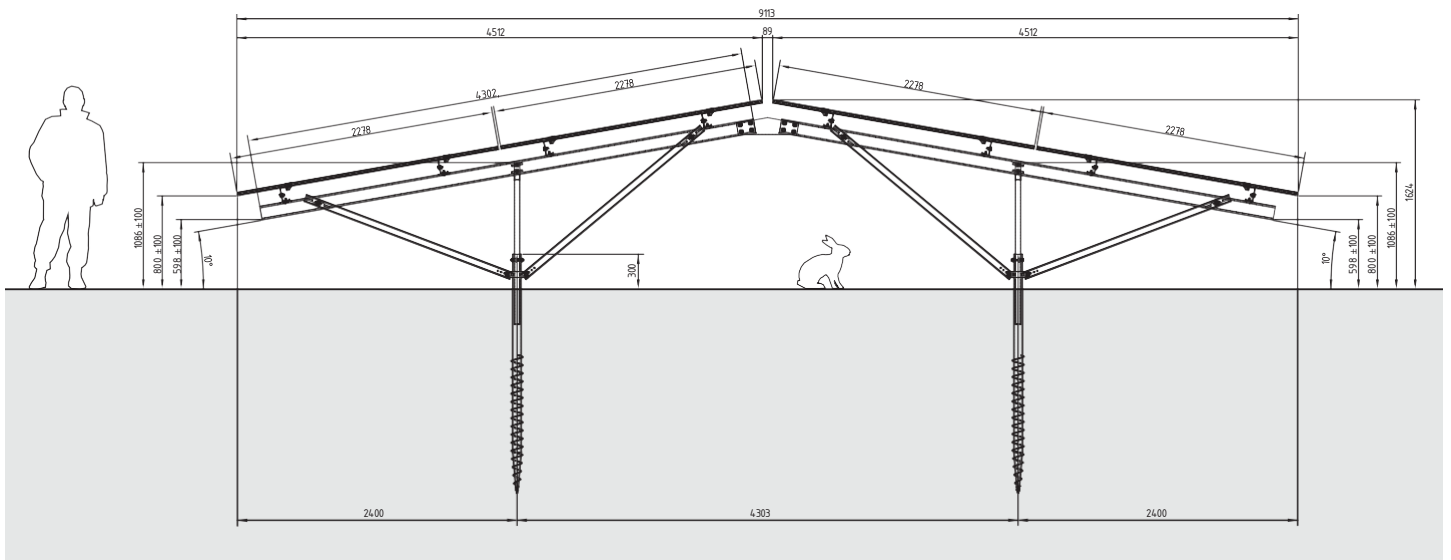


GROUNDFIX 2V EAST-WEST GROUNDSCREW



Features:

- Placement of panels on the structure – 2 panels vertically east, 2 panels vertically west
- High utilization of the area intended for PV installation
- Unique solution with a low number of foundation screws standard PV panel
- Construction for slopes of 10°–20°
- Certified screws of the brand BAYO.S
- The rafter construction allows the use of different panel sizes installation
- Easy and quick installation
- All construction elements hot-dip galvanized according to DIN EN ISO 1461
- Construction is according to ČSN EN 1990
- Weight of 1 MW approx. 30 t
- Made in Czech Republic



1. Certified screws of the brand BAYO.S



2. Detail of fastening panels to longitudinal profiles profily



3. Connecting element of the top of the structure

GROUNDFIX is a European company based in Prague. Our company focuses on providing foundation solutions for every type of soil conditions. From standard soil, with easy installation, through low density, muddy terrain where a special type of propeller screw is necessary, to hard rocky terrain where predrilling technology is required. As well as ground screws we can provide rammed post foundations if clients prefer this technology, and the soil conditions allow it. The unique ground screw technology offers many advantages. Installation is very fast even in the case of complicated terrain and soil conditions, there are no harmful effects on the environment, and it is all re-useable.

- Engineering: Specific locations are considered during the proposition and preparation phase.
- The project is assessed for optimization and the client's maximum profitability.
- Static engineering calculations are made as a part of the overall solution.
- In cooperation with investors, we respect the preferences of our customers, and give them recommendations for the optimal use for the site.