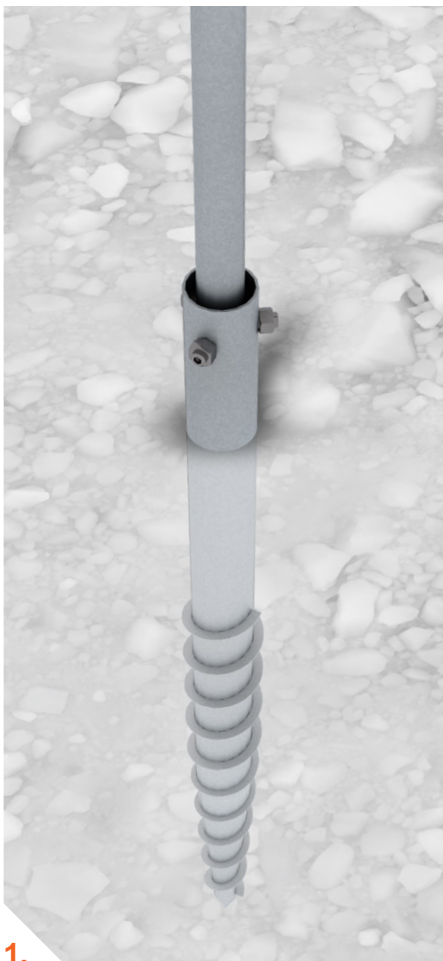
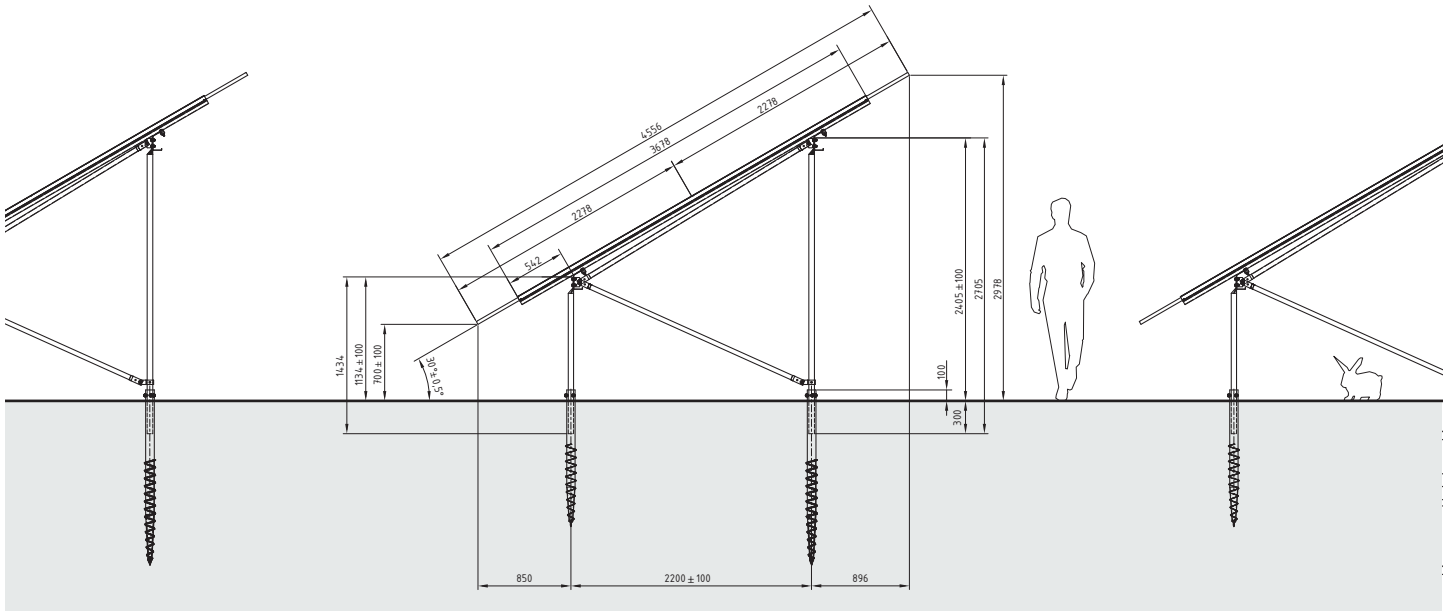


# GROUNDFIX 2V SLIDE-IN GROUNDSCREW



## Features:

- Placement of panels on the structure – 2 panels vertically. The optimal solution in terms of land utilization.
- Construction for standard FVE panel tilt range 10°–35°
- The structure is height adjustable and can level uneven terrain
- Certified screws of the brand BAYO.S
- Slide-in mounting of panels using a special aluminum profile. The panel is supported up along its entire length, it does not deform. Easy and quick installation. Slide-in profiles of different cross-sections T85/T100/T125, AW6063 according to TS EN 775-9 for different types of loads are provided.
- All construction elements hot-dip galvanized according to DIN EN ISO 1461
- The construction is according to ČSN EN 1990
- Weight of 1 MW approx. 30 t
- Made in Czech Republic



**1.** Attaching the legs to the ground screw allows the height of the structure to be adjusted



**2.** Attaching the bottom brace and the aluminum profile to the purlin, which determines the tilt of the panels



**3.** Fixing the solar panel in aluminum profiles – Slide-in

**GROUNDFIX** is a European company based in Prague. Our company focuses on providing foundation solutions for every type of soil conditions. From standard soil, with easy installation, through low density, muddy terrain where a special type of propeller screw is necessary, to hard rocky terrain where predrilling technology is required. As well as ground screws we are able to provide rammed post foundations if clients prefer this technology and the soil conditions allow it.

The unique ground screw technology offers many advantages. Installation is very fast even in the case of complicated terrain and soil conditions, there are no harmful effects on the environment and it is all re-useable.

Engineering:

- Specific locations are taken into account during the proposition and preparation phase.
- The project is assessed for optimization and the client's maximum profitability.
- Static engineering calculations are made as a part of the overall solution.
- In cooperation with investors, we respect the preferences of our customers, and give them recommendations for the optimal use for the particular site.